

HANECO COMMERCIAL LED DOWNLIGHT INSTALLATION GUIDE

AURORA^{SQ}URE



Please read these installation instructions carefully before installing or maintaining this equipment. The product is designed for installation and maintenance in accordance with relevant Australian standards (AS/NZS3000), by an authorised and licensed electrician. The installation instructions were correct at the time of print. To reflect changes in technology and Australian and New Zealand standards; Haneco reserves the right to amend the instructions without notice. Updated guidelines can be found on relevant brand web site.

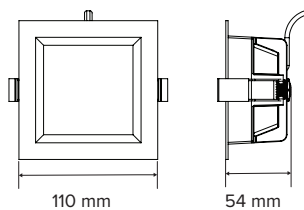
PRODUCT NAME: AURORA^{SQ}URE Commercial LED Downlight

Issue Date: 10/09/2024

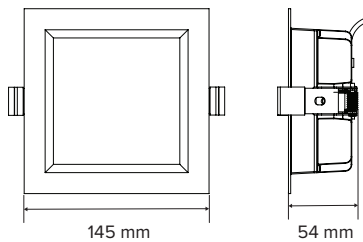
Product code	AURORA110-SQ	AURORA145-SQ	AURORA190-SQ	AURORA220-SQ
Power	10 W	18 W	25 W	35 W
Cutout	90 x 90 mm	120 x 120 mm	160 x 160 mm	200 x 200 mm
CCT	3000 / 4000 / 5700 K			
Dimming technology	Phase-Cut Dimmable (Trailing Edge, 10-100%)			
IP rating	IP54			
CRI	> 85			
Flicker-free	Yes			
Driver	Remote			
Nominal voltage & Frequency	220-240Vac,50/60Hz			
Power factor	> 0.9			
Surge protection rating	Overload / Short Circuit			
Inrush current	2.67A @ 76uS	2.18A @ 135uS	2.18A @ 135uS	3.06A @ 224uS
Rated operating ambient temperature	-20 to 45°C			
Electrical connection	1m Flex & Plug			
Installation type	Recessed			
Warranty	5 yrs			

Line diagrams and dimensions

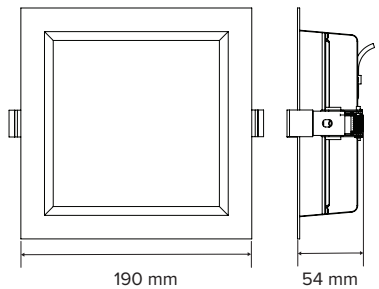
AURORA110-SQ



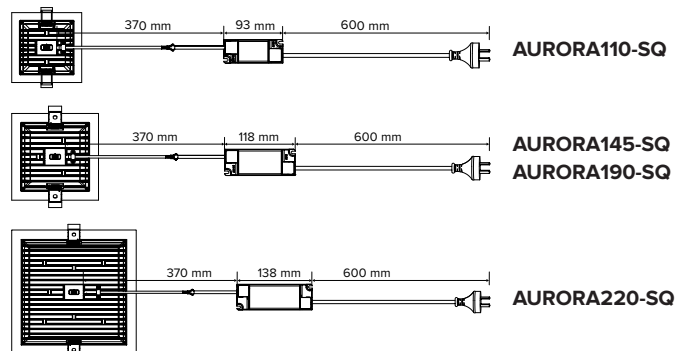
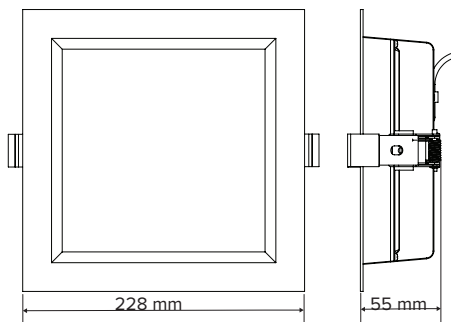
AURORA145-SQ



AURORA190-SQ



AURORA220-SQ



AURORA^{SQUARE}

Fitting Code:

AURORA110-SQ

AURORA145-SQ

AURORA190-SQ

AURORA220-SQ

Installation

To ensure proper functionality and safety, please read and follow all instructions carefully before using the product:

1. Cut a square cutout to the specified dimensions.
2. Insert the plug into the socket.
3. Select the desired CCT setting (WW, NW, CW).
4. Hold the mounting clips against the sides of the downlight, and insert the downlight into the cut-out, allowing the springs to retract onto the back of the ceiling.

